

IP8132/33/33W

Fixed Network Camera

1MP • Privacy Button • Compact Design



VIVOTEK IP8132(Wired)/33(PoE)/33W(Wireless) are easy-to-use network cameras specifically designed for home security applications with compact, stylish exteriors. Equipped with a 1MP sensor enabling viewing resolution of 1280x800 at 30 fps, users need look no further for an all-in-one camera capable of capturing high quality, high resolution video.

The cameras support the industry-standard H.264 compression technology, drastically reducing file sizes and conserving valuable network bandwidth. With MPEG-4 and MJPEG compatibility also included, video streams can also be transmitted in any of these formats for versatile applications.

The IP8132 provides all basic features, while IP8133 & IP8133W add advanced functions such as PIR, white light LED, and speaker. The wireless model IP8133W is embedded with dual antennas and IEEE 802.11n wireless technology, which greatly enhances the transmission and range of the wireless connection. Moreover, the WPS button ensures a minimum of configuration time for wireless connections.

The cameras also include VIVOTEK's free ST7501 32-channel recording software. With all this and more, any user can quickly and easily view children, the elderly, or even pets with live, clear videos while away from home.

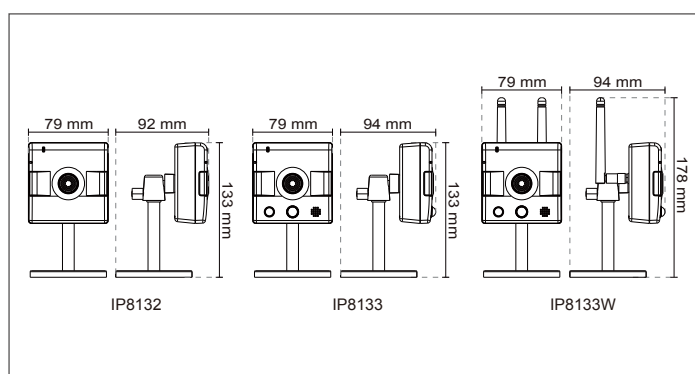
Features

- > 1-Megapixel CMOS Sensor
- > Real-time H.264, MPEG-4 and MJPEG Compression (Triple Codec)
- > Privacy Button to Pause Monitoring
- > Tamper Detection for Unauthorized Changes
- > Built-in PIR Sensor for Unauthorized Intruder Detection (IP8133/33W)
- > Built-in White-light Illuminators for Event Triggering (IP8133/33W)
- > Built-in 802.3af Compliant PoE (IP8133)
- > Built-in 802.11b/g/n WLAN (IP8133W)
- > Wi-Fi Protected Setup (WPS) for Easy and Secure Wireless Network Connection (IP8133W)
- > Built-in Microphone and Speaker for Two-way Audio (IP8133/33W)
- > Compact, Elegant Design

Models	<ul style="list-style-type: none"> · IP8132 (Wired) · IP8133 (PoE) · IP8133W (WLAN)
Lens	<ul style="list-style-type: none"> · Board lens, Fixed, f = 3.45 mm, F2.4
Field of View	<ul style="list-style-type: none"> · 47.4° (horizontal) · 30.6° (vertical) · 54.7° (diagonal)
Shutter Time	<ul style="list-style-type: none"> · 1/15 sec. to 1/25,000 sec.
Image Sensor	<ul style="list-style-type: none"> · 1/4" CMOS sensor in 1280x800 resolution
Minimum Illumination	<ul style="list-style-type: none"> · 3.0 Lux @ F2.4
Video	<ul style="list-style-type: none"> · Compression: H.264, MJPEG & MPEG-4 · Streaming: <ul style="list-style-type: none"> Multiple simultaneous streams H.264 streaming over UDP, TCP, HTTP or HTTPS MPEG-4 streaming over UDP, TCP, HTTP or HTTPS H.264/MPEG-4 multicast streaming MJPEG streaming over HTTP or HTTPS · Supports activity adaptive streaming for dynamic frame rate control · Supports 3GPP mobile surveillance · Frame rates: <ul style="list-style-type: none"> H.264: <ul style="list-style-type: none"> Up to 30 fps at 1280x800 MPEG-4: <ul style="list-style-type: none"> Up to 23 fps at 1280x800 MJPEG: <ul style="list-style-type: none"> Up to 30 fps at 1280x800
Image Settings	<ul style="list-style-type: none"> · Adjustable image size, quality and bit rate · Time stamp and text caption overlay · Flip & mirror · Configurable brightness, contrast, saturation, sharpness, white balance and exposure · AGC, AWB, AES · BLC (Backlight Compensation) · Supports privacy masks
Audio	<ul style="list-style-type: none"> · Compression: <ul style="list-style-type: none"> GSM-AMR speech encoding, bit rate: 4.75 kbps to 12.2 kbps G.711 audio encoding, bit rate: 64 kbps, μ-Law or A-Law mode selectable · Interface: <ul style="list-style-type: none"> Built-in microphone (IP8132/33/33W) Built-in speaker (IP8133/33W) · Supports two-way audio (IP8133/33W) · Supports audio mute
Networking	<ul style="list-style-type: none"> · 10/100 Mbps Ethernet, RJ-45 · Built-in 802.11b/g/n WLAN (IP8133W) · ONVIF support · Protocols: IPv4, IPv6, TCP/IP, HTTP, HTTPS, UPnP, RTSP/RTP/RTCP, IGMP, SMTP, FTP, DHCP, NTP, DNS, DDNS, PPPoE, CoS, QoS, SNMP, and 802.1X
Alarm and Event Management	<ul style="list-style-type: none"> · Triple-window video motion detection · Tamper detection · One D/I and one D/O for external sensor and alarm · PIR (Passive Infrared Sensor) for human detection (IP8133/33W) · White-light illuminators when event triggered (IP8133/33W) · Event notification using HTTP, SMTP or FTP · Local recording of MP4 file

Security	<ul style="list-style-type: none"> · Multi-level user access with password protection · IP address filtering · Wireless: WEP, WPA-PSK, WPA2 (IP8133W) · WPS - Wi-Fi Protected Setup (IP8133W) · HTTPS encrypted data transmission
Users	<ul style="list-style-type: none"> · Live viewing for up to 10 clients
Dimension	<ul style="list-style-type: none"> · 32 mm (D) x 79 mm (W) x 80 mm (H)
Weight	<ul style="list-style-type: none"> · Net: 180 g (IP8132) · Net: 200 g (IP8133) · Net: 195 g (IP8133W)
LED Indicator	<ul style="list-style-type: none"> · System power and status indicator · System activity and network link indicator · Privacy button on
Power	<ul style="list-style-type: none"> · 5V DC · Power consumption: Max. 3.4 W (IP8132) · Power consumption: Max. 4.3 W (IP8133) · Power consumption: Max. 4.7 W (IP8133W) · 802.3af compliant Power-over-Ethernet (Class 3) (IP8133)
Approvals	<ul style="list-style-type: none"> · CE, LVD, FCC, VCCI, C-Tick
Operating Environments	<ul style="list-style-type: none"> · Temperature: 0°C ~ 40°C (32°F ~ 104°F) · Humidity: 90% RH
Viewing System Requirements	<ul style="list-style-type: none"> · OS: Microsoft Windows 7/Vista/XP/2000 · Browser: Mozilla Firefox, Internet Explorer 6.x or above · Cell phone: 3GPP player · Real Player: 10.5 or above · Quick Time: 6.5 or above
Installation, Management, and Maintenance	<ul style="list-style-type: none"> · Installation Wizard 2 · 32-CH ST7501 recording software · Supports firmware upgrade
Applications	<ul style="list-style-type: none"> · SDK available for application development and system integration
Warranty	<ul style="list-style-type: none"> · 24 months

Dimension



All specifications are subject to change without notice. Copyright © 2011 VIVOTEK INC. All rights reserved. P/N: 971004300

Distributed by:


VIVOTEK INC.

 6F, No.192, Lien-Cheng Rd., Chung-Ho, New Taipei City, 235, Taiwan, R.O.C.
 |T: +886-2-82455282 | F: +886-2-82455532 | E: sales@vivotek.com

VIVOTEK USA, INC.

 2050 Ringwood Avenue, San Jose, CA 95131
 |T: 408-773-8686 | F: 408-773-8298 | E: salesusa@vivotek.com